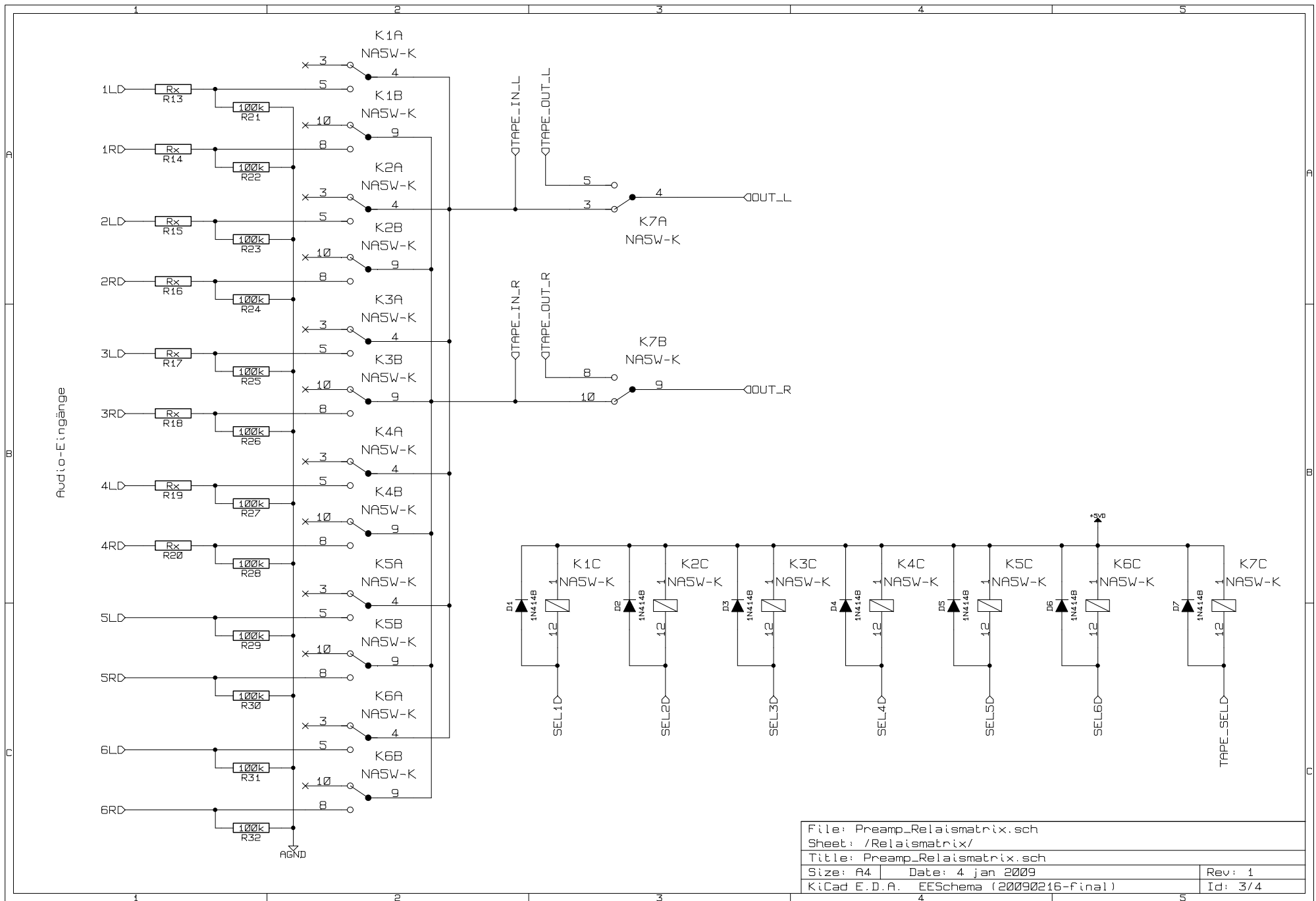
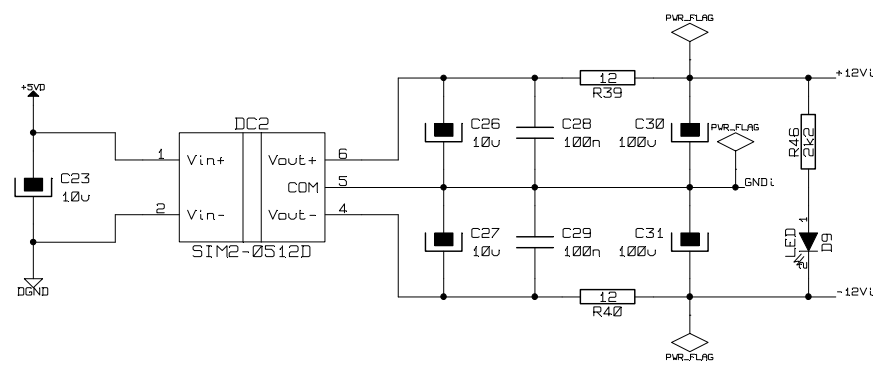
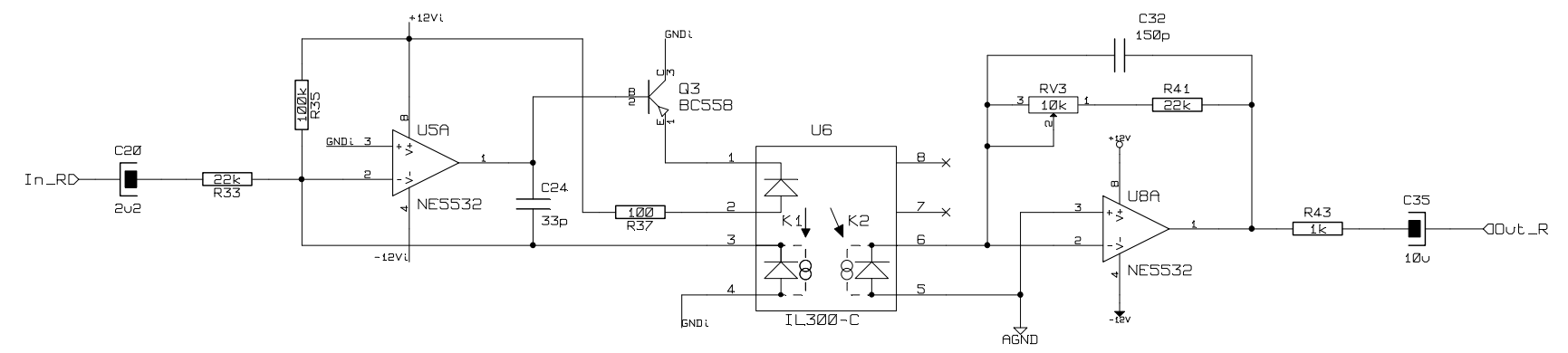
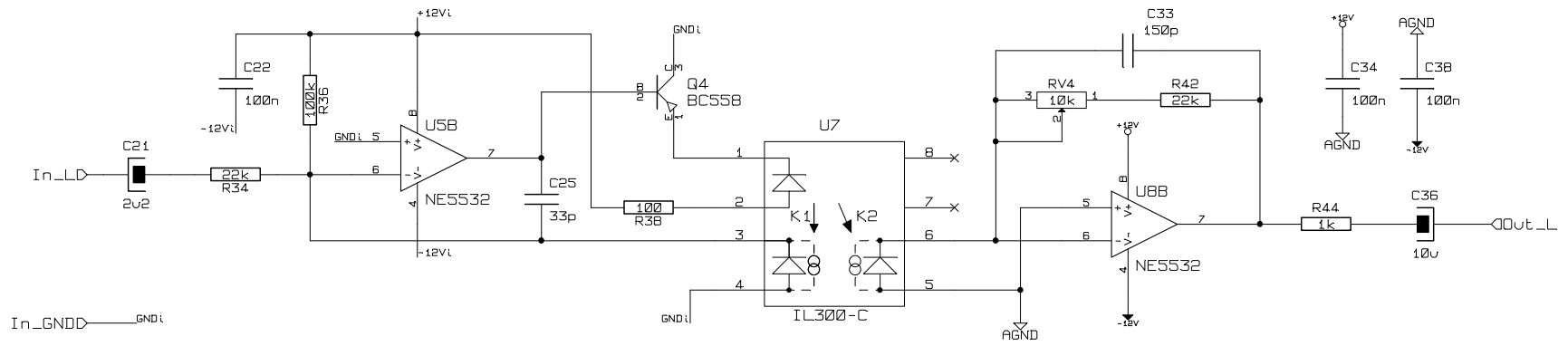


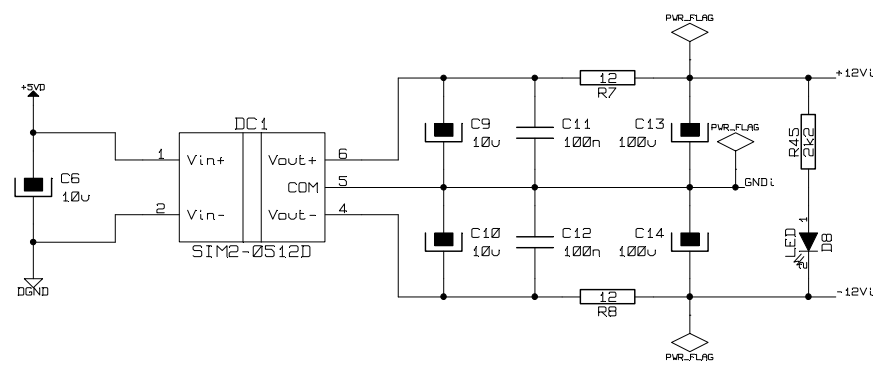
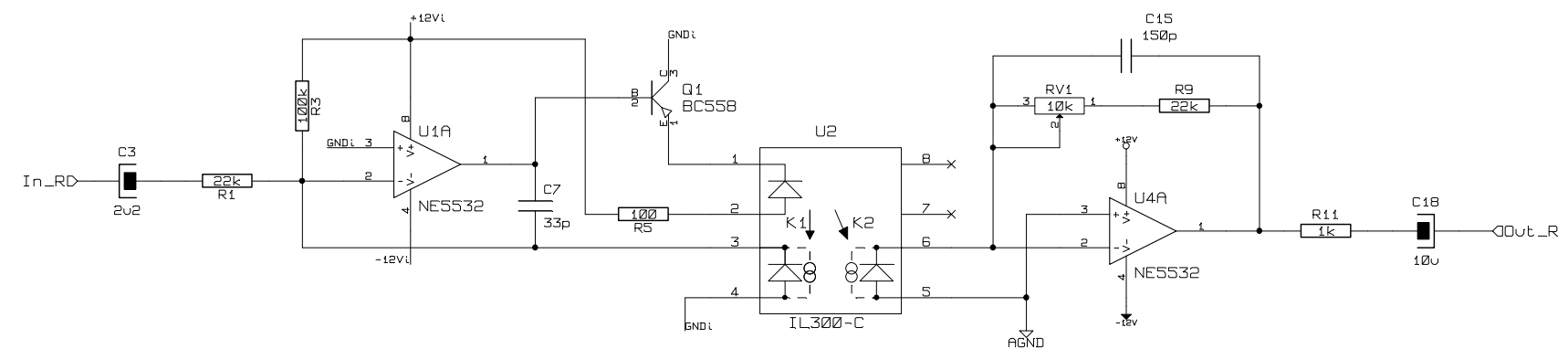
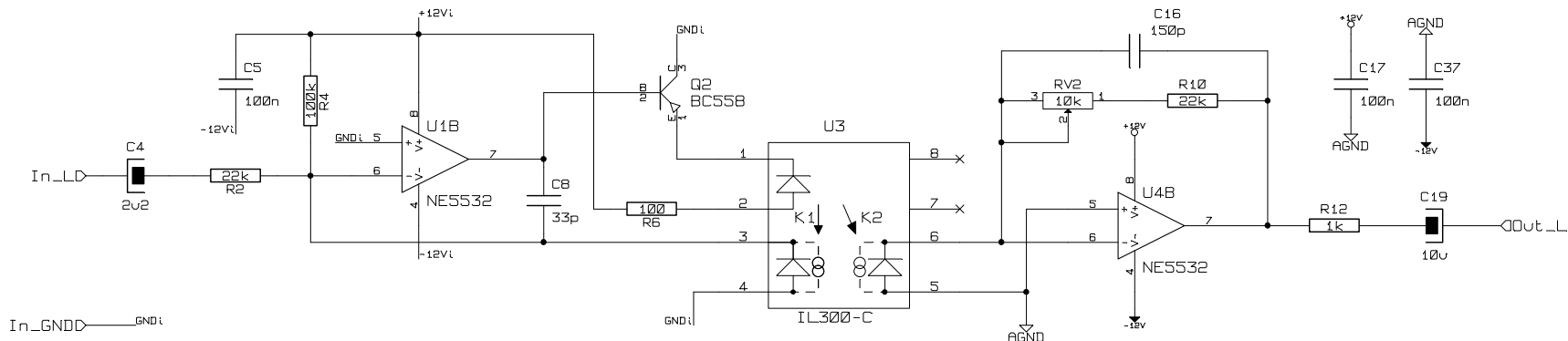
File: Preamp_Eingangsstufe.sch		
Sheet: /		
Title: Preamp Eingangsstufe		
Size: A4	Date: 4 jan 2009	Rev: 1
KiCad E.D.A. EESchema (20090216-Final)		Id: 1/4



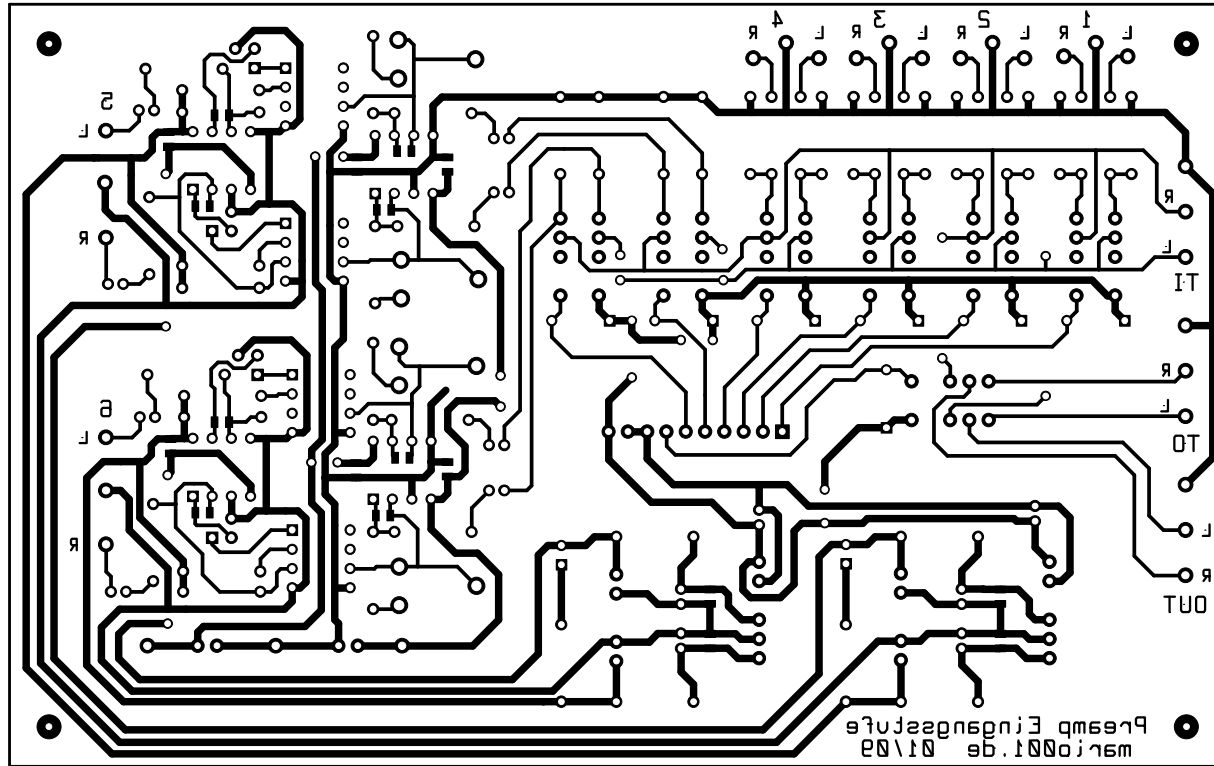
File: Preamp_Relaismatrix.sch		Rev: 1	
Sheet: /Relaismatrix/		Id: 3/4	
Title: Preamp_Relaismatrix.sch		Date: 4 jan 2009	
Size: A4	KiCad E.D.A. EESchema (20090216-Final)		



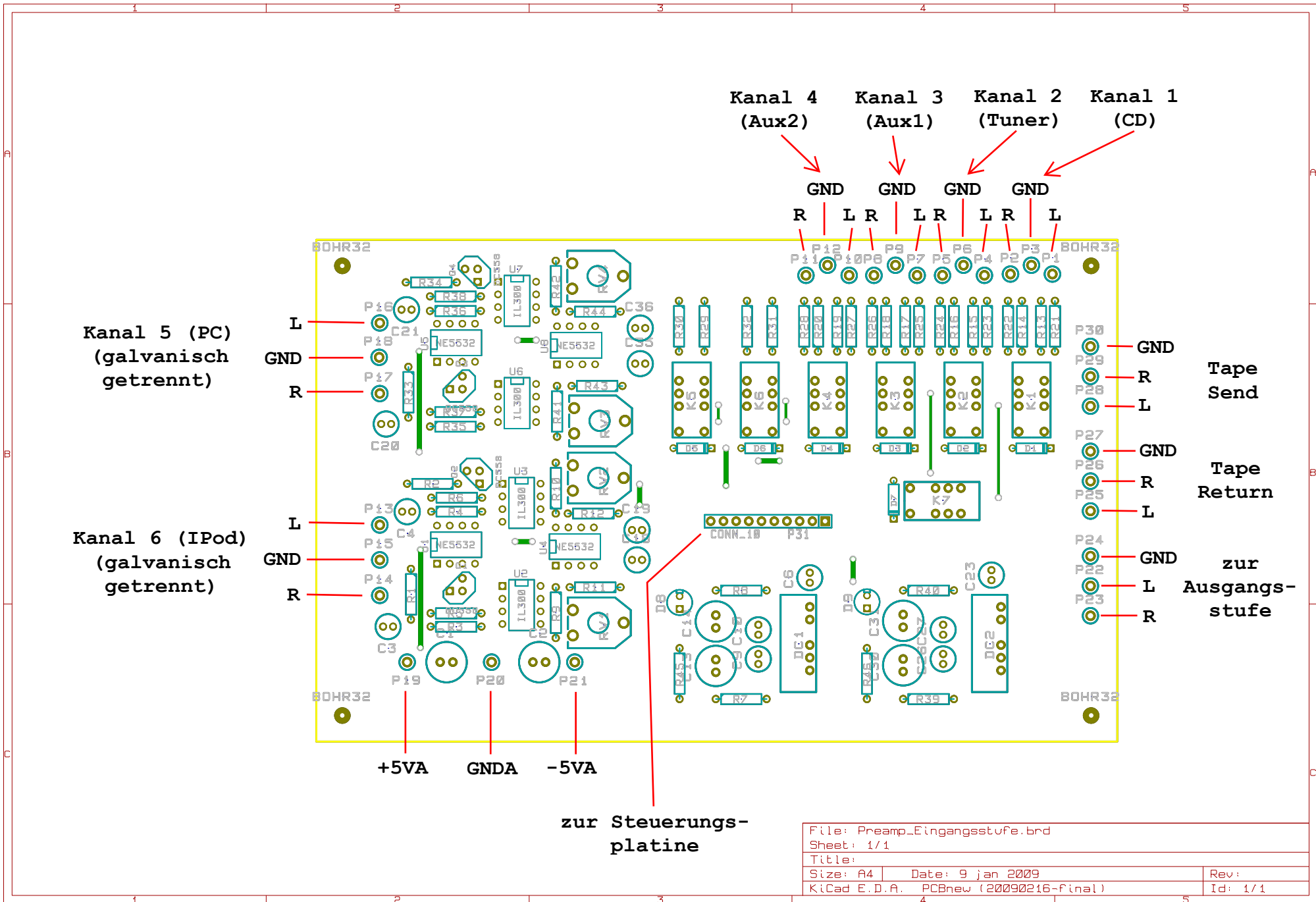
File: Preamp_Trennverstaerker.sch
 Sheet: /Trennverstaerker2/
 Title: Preamp Trennverstaerker
 Size: A4 Date: 4 jan 2009 Rev: 1
 KiCad E.D.A. EESchema (20090216-Final) Id: 2/4

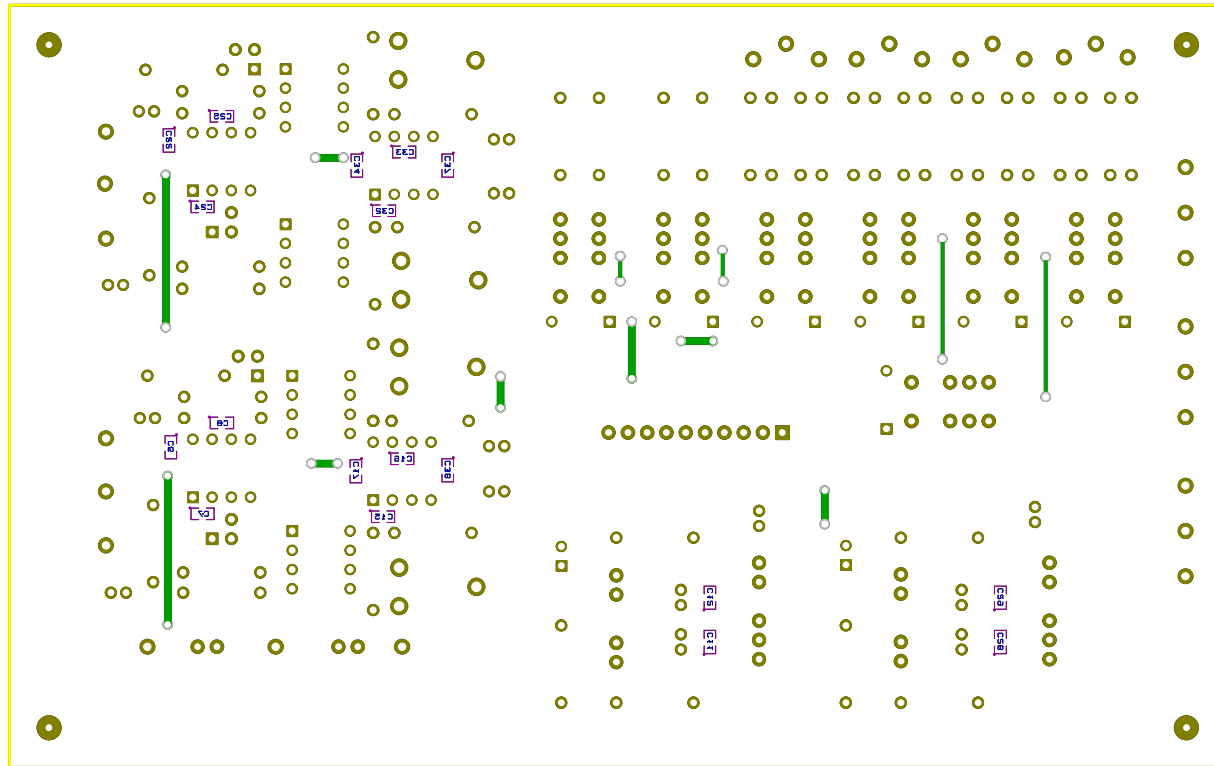


File: Preamp_Trennverstaerker.sch
 Sheet: /Trennverstaerker 1/
 Title: Preamp Trennverstaerker
 Size: A4 Date: 4 jan 2009 Rev: 1
 KiCad E.D.A. EESchema (20090216-Final) Id: 4/4



File: Preamp_Eingangsstufe.brd			
Sheet: 1/1			
Title:			
Size: A4	Date: 9 jan 2009	Rev:	
KiCad E.D.A. PCBnew (20090216-final)			Id: 1/1





File: Preamp_Eingangsstufe.brd	
Sheet: 1/1	
Title:	
Size: A4	Date: 9 jan 2009
KiCad E.D.A. PCBnew (20090216-final)	
Rev: 1/1	