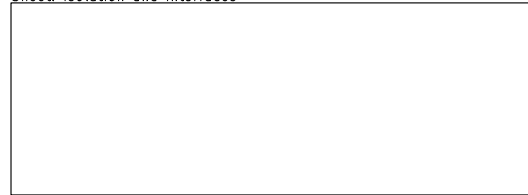


Sheet: USB UART Converter



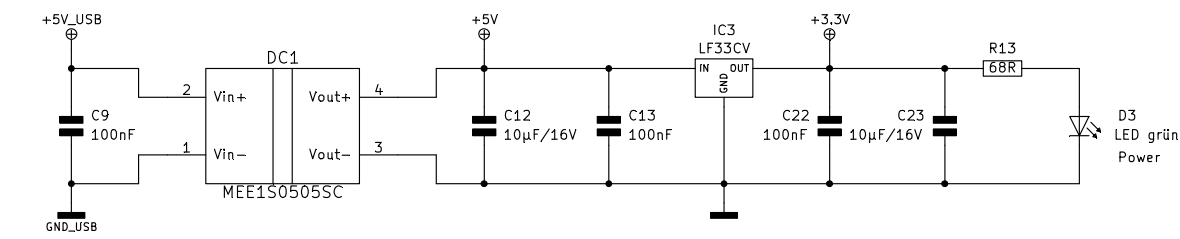
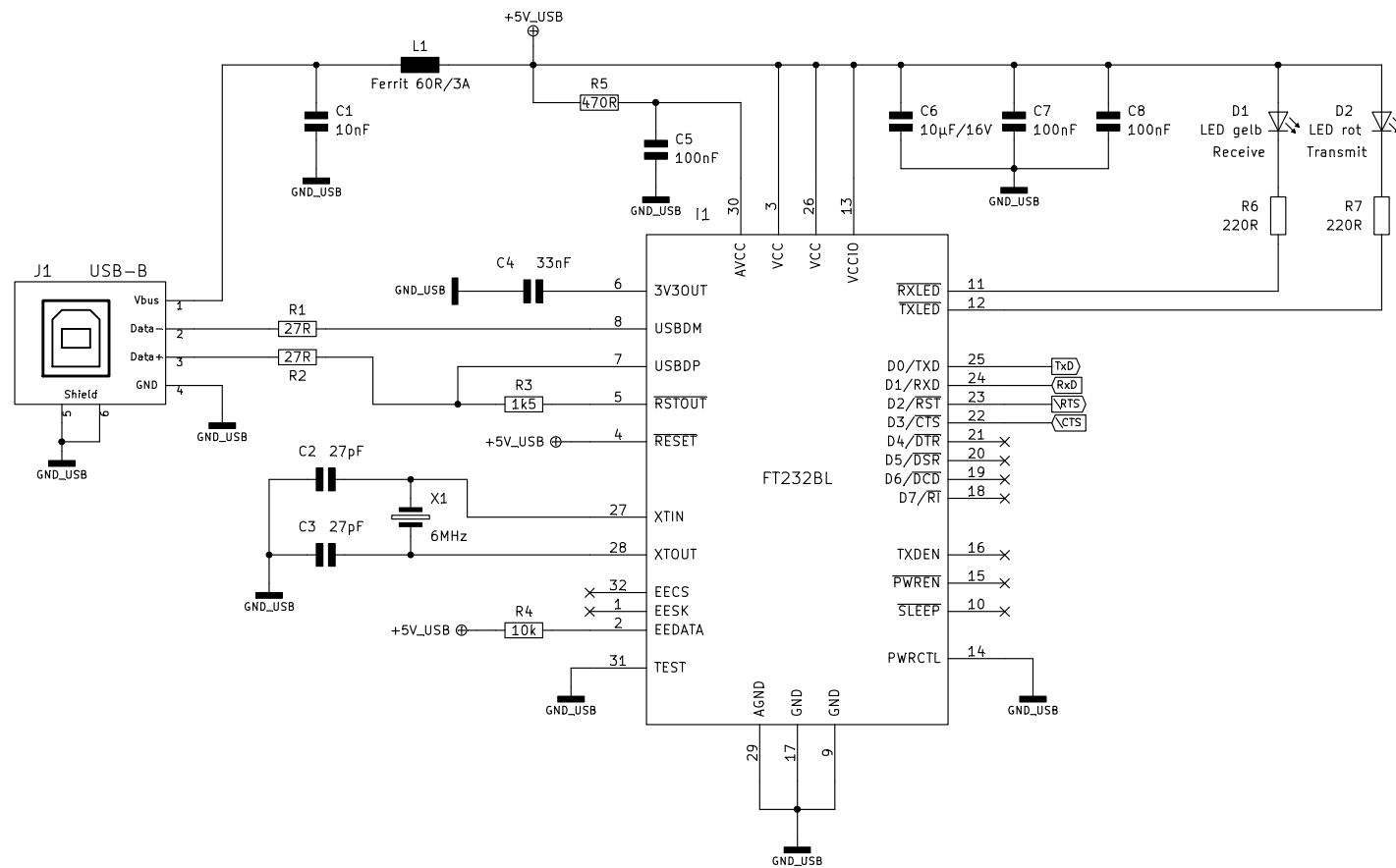
File: USB-UART-Iso_FTDI.sch

Sheet: Isolation and Interfaces

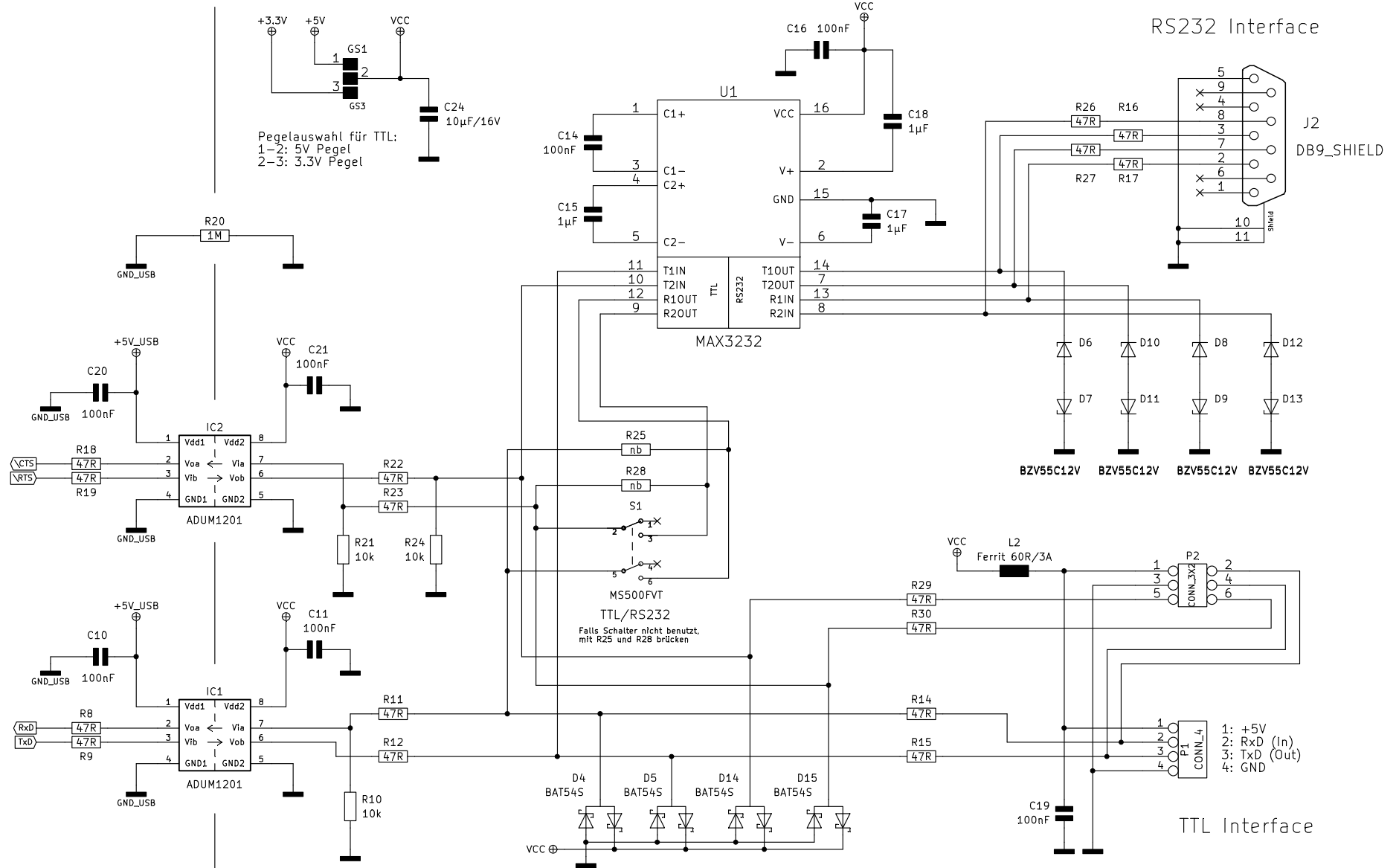


File: USB-UART-Iso_Interface.sch

| | | |
|--|-------------------|---------------|
| mario001.de | | |
| File: USB-UART-Iso.sch | | |
| Sheet: / | | |
| Title: Isolated USB-UART-Interface | | |
| Size: A4 | Date: 19 jun 2014 | Rev: 0 |
| KiCad E.D.A. eeschema (2013-07-07 BZR 4022)-stable | | Id: 1/3 |



| | | |
|---|-------------------|---------|
| mario001.de | | |
| File: USB-UART-Iso_FTDI.sch | | |
| Sheet: /USB UART Converter/ | | |
| Title: Isolated USB-UART-Interface | | |
| Size: A4 | Date: 19 jun 2014 | Rev: 0 |
| KiCad E.D.A. eschema (2013-07-07 BZR 4022)-stable | | Id: 2/3 |



USB-Seite

Interface-Seite

RS232 Interface

TTL Interface

| | | | |
|---|-------------------|--|---------|
| mario001.de | | | |
| File: USB-UART-Iso_Interface.sch | | | |
| Sheet: /Isolation and Interfaces/ | | | |
| Title: Isolated USB-UART-Interface | | | |
| Size: A4 | Date: 19 jun 2014 | | Rev: 0 |
| KiCad E.D.A. eschema (2013-07-07 BZR 4022)-stable | | | Id: 3/3 |